

特徴/Features

- 小型軽量化しております。 ★It is smaller and lighter.
- 低うなり音 ★Low beat sound
- 各種スイッチング電源用。 ★Various SMPS

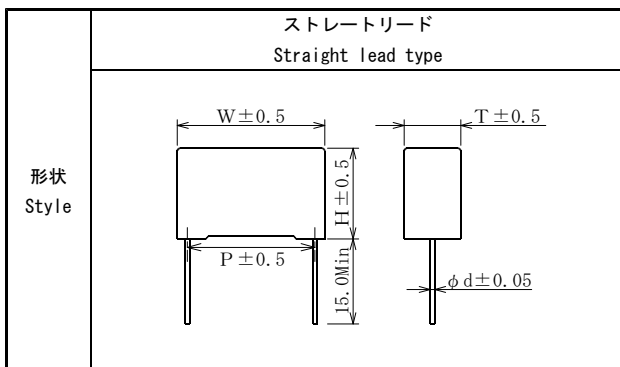
規格/Specifications

| | |
|-------------------------------|---|
| 使用温度範囲 Temp. range | -40~85°C (+105°C)※1 |
| 定格電圧 Rated voltage | 450V, 630Vdc |
| 静電容量 Capacitance | 450Vdc 0.47, 1.0μF 630Vdc 0.47, 2.2μF |
| 静電容量許容差 Cap. tolerance | ±10% (K) |
| 誘電正接 Tangent of loss angle | 0.0010 _※ T _{ess} (at 1kHz) |
| 耐電圧 Voltage Proof | WV×150% 5 sec |
| 絶縁抵抗 Insulation resistance | 7,500Ω F _※ T _{MoRe} (100V.dc/1 min) |

※1 () 温度は電圧軽減による使用可能範囲です。

※1 () Marked temperature shows operatable when voltage is derated.

寸法/Dimensions (mm)



| Rated Voltage | Cap. CODE | Cap (μF) | MODEL CODE | Dimension (mm) | | | | |
|---------------|-----------|----------|------------|----------------|------|------|------|-----|
| | | | | W | H | T | P | φ d |
| 450Vdc | 474 | 0.47 | 01Z9 | 13.0 | 13.0 | 7.0 | 10.0 | 0.6 |
| | 105 | 1.0 | 01Z9 | 12.5 | 15.7 | 9.0 | 10.0 | 0.6 |
| | 474 | 0.47 | 0000 | 18.0 | 12.0 | 6.0 | 15.0 | 0.6 |
| | 105 | 1.0 | 0000 | 18.0 | 13.5 | 7.5 | 15.0 | 0.8 |
| 630Vdc | 474 | 0.47 | 0000 | 18.0 | 16.0 | 10.0 | 15.0 | 0.6 |
| | 225 | 2.2 | 0000 | 26.5 | 23.0 | 14.0 | 22.5 | 0.8 |

個別設計品のため、コンデンサの電圧・電流波形等の使用条件をご確認の上弊社営業までお問い合わせ下さい。

This is a custom-made product. Please contact our sales representatives and inform them of the conditions under which the capacitor will be used, such as voltage and current waveform.